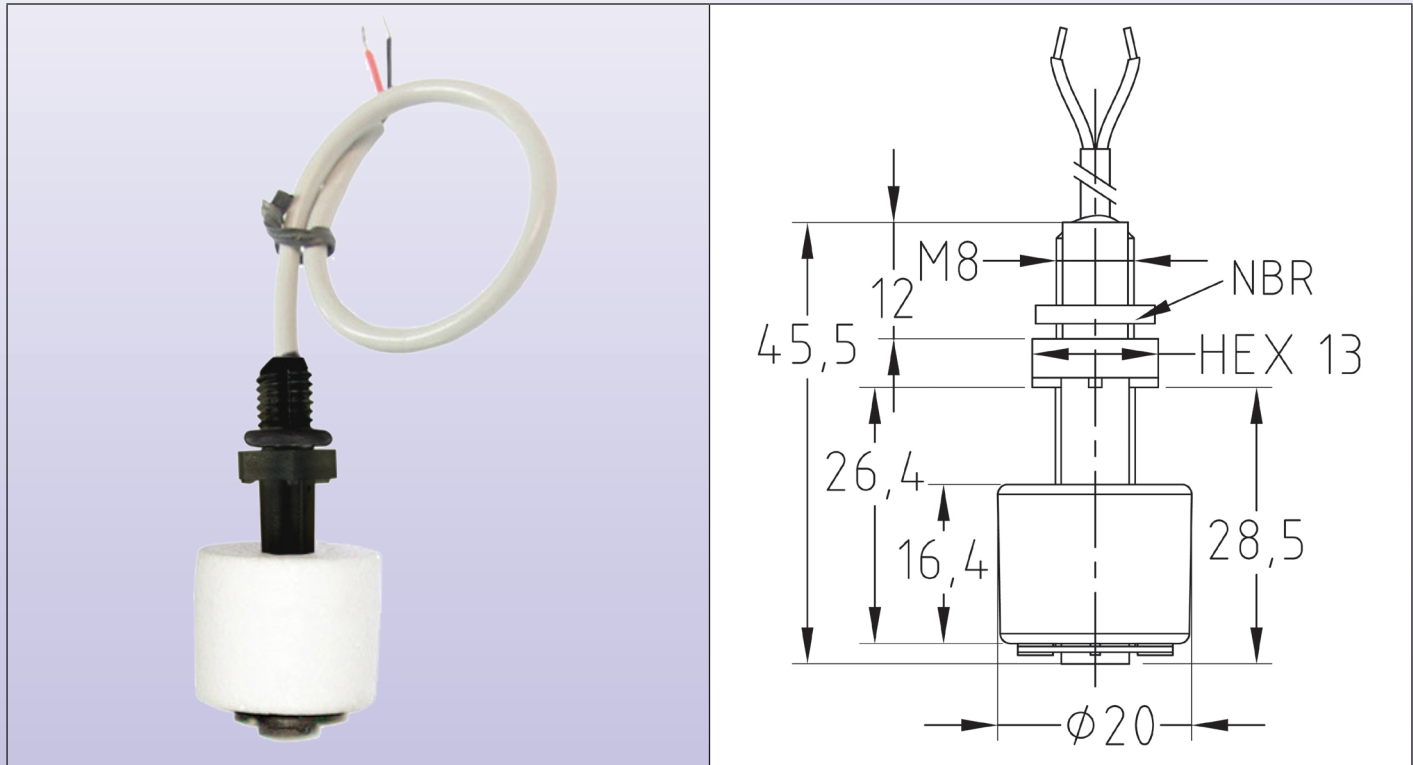


# Vertical mounting, reed switch contact, polypropylene stem with M8 thread, cable output dia. 20 × 16.4mm EPS foam float



Because of permanent improvement of our products, drawings, descriptions, features used on these data sheets are for guidance only and can be modified without prior advice

Float material	Mounting	Contact resistance	Ambient temperature	Maximum pressure	Type
EPS foam	Vertical	150 mOhms maxi	-20 +65°C	1 bar (15 PSI)	<b>DM3</b>



**Use:** low voltage circuits

**Main applications:** vending machines, air conditioning pumps, dehumidifiers. Small diameter float for reduced space applications. EPS foam float avoid float leaks, but reduces the maximum liquid temperature.

**Stem material:** polypropylene.

**Float material:** EPS foam with skin effect surface to avoid water absorption

**Mounting:** Vertical, throw wall, with M8 nut and flat NBR gasket.

**Contact configuration:** normally closed when float is down on the stem. It opens when float goes up to the wiring side. Upsetting the float changes the contact configuration into normally open.

**Electrical rating:**

Low voltage type: maximum power 10 W (VA), max 0.5Amp, max voltage 110VAC.

230VAC type: max power 40 W (VA), max 1Amp Values for resistive circuit. For inductive or capacitive loads, a contact protection circuit must be used.

**Contact resistance:** 150mOhms maxi (wires not included)

**Wires:** AWG24 cable, UL style 2464, PVC insulated, length 100, 500, 1000 or 2000mm.

**Liquid limits:** to be used with liquids chemically compatible with polypropylene and polystyrene, dynamic viscosity higher than  $0.5 \times 10^{-4}$  Pa.s and lower than  $10^{-2}$  Pa.s, specific gravity higher than 0.9, without magnetic particles.

**Ambient temperature:** -20+65°C.

**Maximum pressure:** 1 bar (15 PSI).

**Options:** Slosh shield for use in turbulence applications, other cable length, electrical rating 70W, 1A, 250VAC.

## References:

Electrical Rating	Cable 100mm	Cable 500mm	Cable 1000mm	Cable 2000mm
10VA (max 110VAC)	DM303083320F1050	DM303083320F5050	DM303083320FA050	DM303083320FB050
40VA (max 230VAC)	DM343083320F1050	DM343083320F5050	DM343083320FA050	DM343083320FB050